



KOMO[®]

product certificate



Number	K7260/06	Replaces	K7260/05
Issued	2015-01-19	Dated	2012-10-05
Valid until	Indefinite	Page	1 of 3

Steel for the reinforcement of concrete B500B: bars Iton – Seine S.A.

STATEMENT BY KIWA

This product certificate is issued on the basis of BRL 0501 "Steel for the reinforcement of concrete" (Betonstaal) dated 2010-09-01 by Kiwa, in accordance with the Kiwa Regulations for Product Certification.

Kiwa declares that legitimate confidence exists that the by the producer manufactured steel for the reinforcement of concrete comply with the technical specifications as laid down in this product certificate, provided that the steel for the reinforcement of concrete have been marked with the KOMO[®]-mark in the manner as indicated in this product certificate.

Bouke Meekma
Kiwa

The certificate is included in the summary on the website of KOMO: www.komo.nl.
Advice: consult www.kiwa.nl in order to ensure that this certificate is still valid.

Kiwa Nederland B.V.
Sir W. Churchill-laan 273
Postbus 70
2280 AB RIJSWIJK
The Netherlands
Tel. +31 70 414 44 00
Fax +31 70 414 44 20
www.kiwa.nl

Holder of Certificate
Iton – Seine S.A.
Quai De Seine 13
Boite Postale 13
78270 BONNIERES SUR SEINE
Frankrijk
Tel. +33 13 09 82 080
Fax +33 13 09 33 114



Evaluated is:
quality system
product
Periodic inspection

Steel for the reinforcement of concrete B500B: bars

PRODUCT SPECIFICATION

General

Steel for the reinforcement of concrete B500B (bars) are in accordance with the requirements of chapter 4 of guideline BRL 0501 and with that of NEN 6008.

The products are meant to be used in constructions of concrete.

Further specification

Classification : B 500B
 Production method : Hot rolled/water cooled
 Nominal size : 8 – 10 – 12 – 14 en 16 mm
 Delivery condition : bars
 bars straightened from coils

The quality mark B500B fulfils the requirements of the old quality mark FeB500 HWL/FeB 500HK

Marking

The products are marked with a label with upon it at least on a clear and indelible way:

- the KOMO®-logo and the certificate number, figure 1;
- the classification B500B;
- the diameter;
- the rolling mark;
- heatnumber/castnumber/coilnumber;
- name of the certificate holder;
- BRL 0501.

Place of the label: at least one label per bundle of bars.

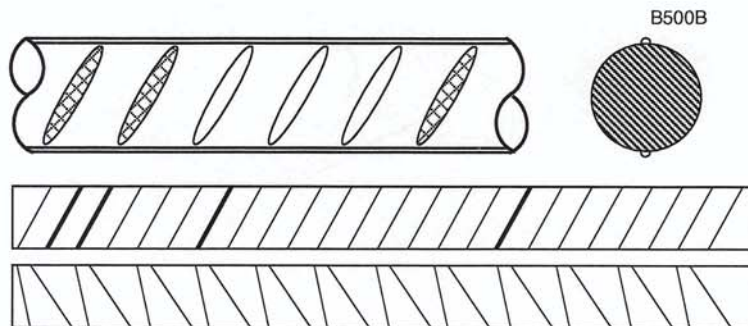
Steel for the reinforcement of concrete is marked on the following way:

On one rib row by thickened ribs, with the code (3-9), figure 2.

Place of the mark: on a mutual distance of ± 1 meter. The position of the transverse ribs may also be in reverse.



Figure 1



(3 - 9) Figure 2

RECOMMENDATIONS FOR USERS

Check at the time of delivery whether:

- the producer has delivered in conformity with the agreement;
- the mark and marking method are correct;
- the products do not show any visible defects due to transport.

If you should reject a product on the basis of the above, please contact:

- Iton – Seine S.A.
- and if necessary:
- Kiwa Nederland B.V.

Consult the supplier's processing guidelines for the proper storage and transport methods, NEN 6722 and/or NEN-EN 13670.

CONSTRUCTION PRODUCTS REGULATIONS

If a construction product is subject to a European harmonised technical specification, the statements in this KOMO product certificate must not be used as a replacement for the CE marking on such construction product and/or for the associated obligatory Declaration of Performance.

Steel for the reinforcement of concrete B500B: bars

LIST OF DOCUMENTS

NEN 6008	Betonstaal
NEN 6722	Voorschriften Beton – Uitvoering
NEN-EN 13670	Het vervaardigen van betonconstructies

* For the actual version of the standards see the latest version of the BRL 0501 or latest amendment sheet.